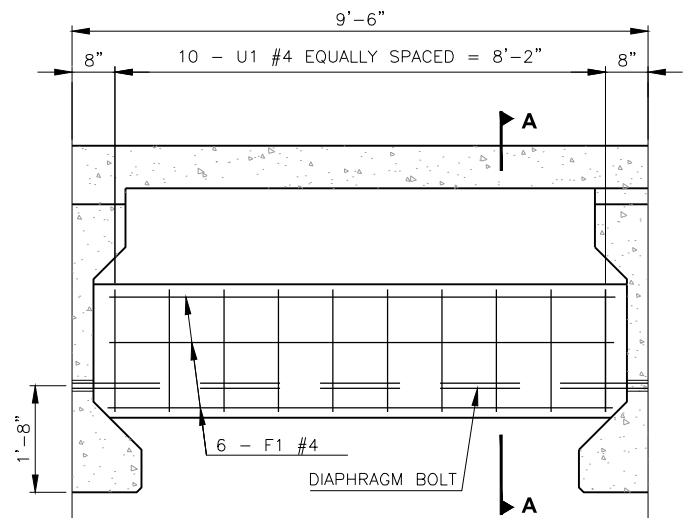
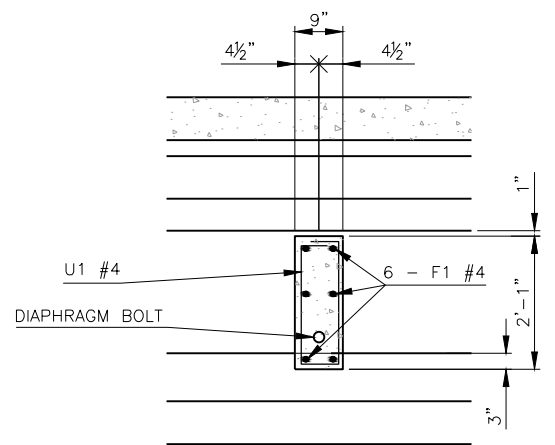


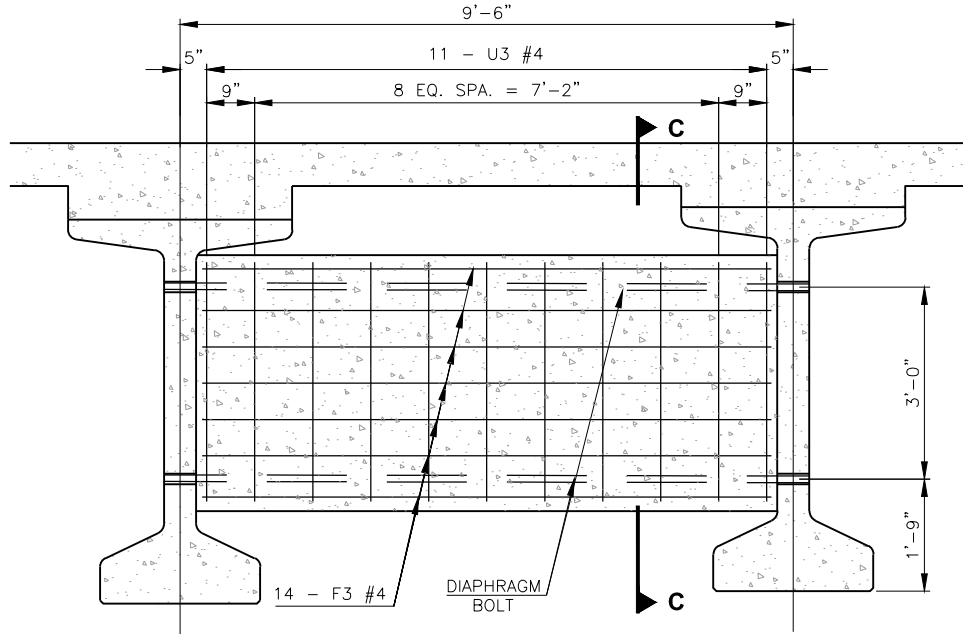
DESCRIPTION	REVISIONS	DATE



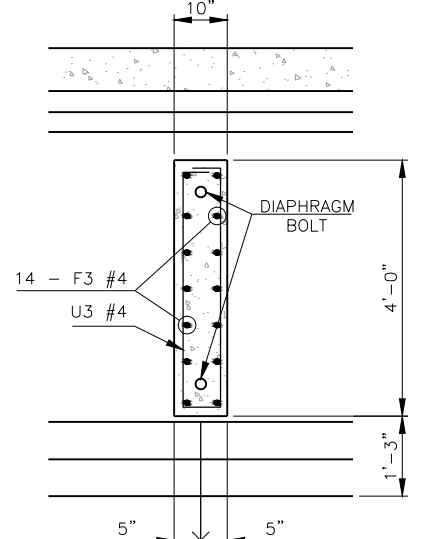
INTERMEDIATE DIAPHRAGM



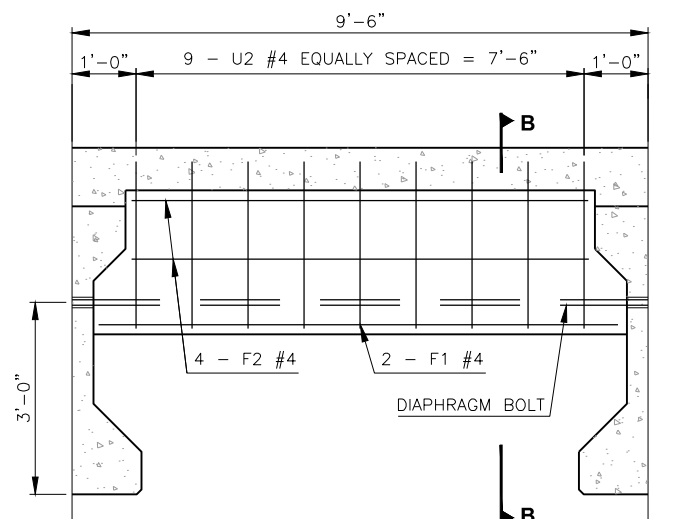
SECTION A-A



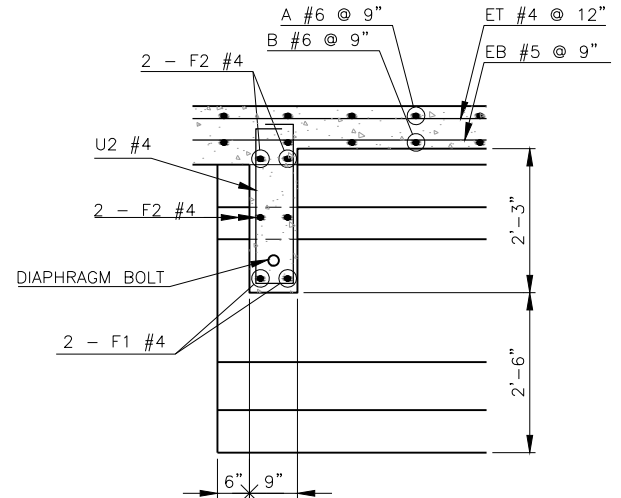
INTERMEDIATE DIAPHRAGM



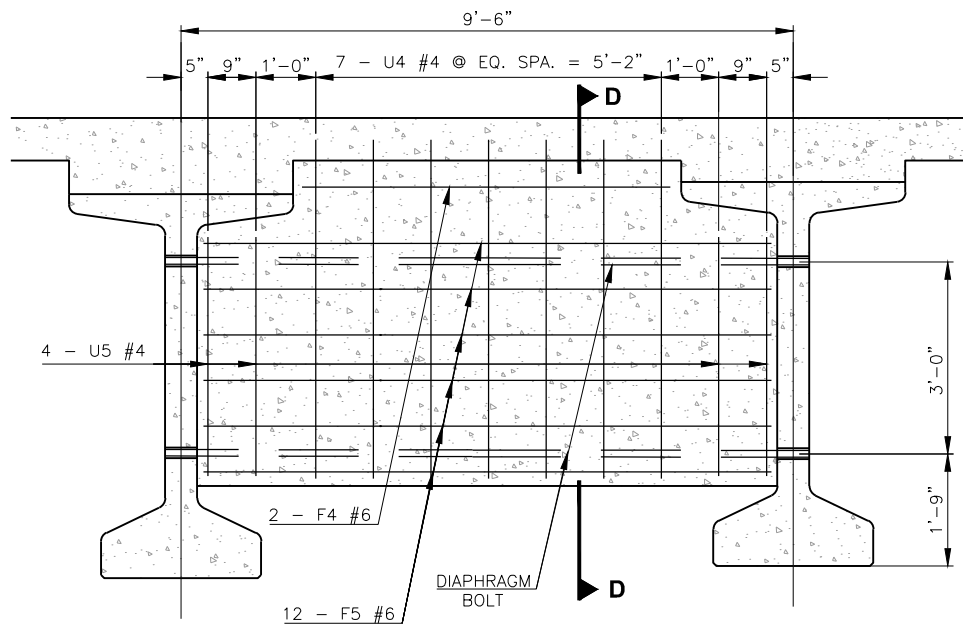
SECTION C-C



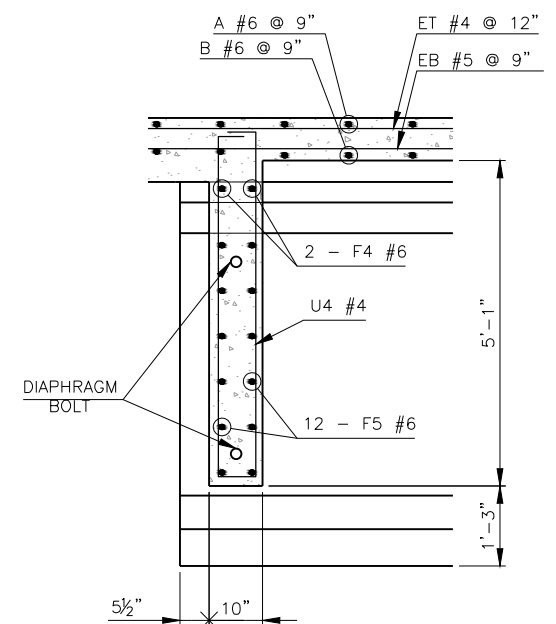
END DIAPHRAGM



SECTION B-B



END DIAPHRAGM



SECTION D-D

TYPE IV DIAPHRAGM DETAILS

(SPAN NO. 1 & NO. 2)

TYPE J DIAPHRAGM DETAILS

(SPAN NO. 3 - NO. 7)

NOTE:
FOR BAR BENDS,
SEE SHEET 58.

DESIGN	B.J.K.	SH-48 OVER CIMARRON RIVER	CREEK COUNTY
DRAWN	B.M.S.	DIAPHRAGM DETAILS	
CHECKED	M.R.S.		
APPROV.	B.J.K.		
SQUAD	CEC		
		JOB PIECE NO. 27925(04)	SHEET NO. 53